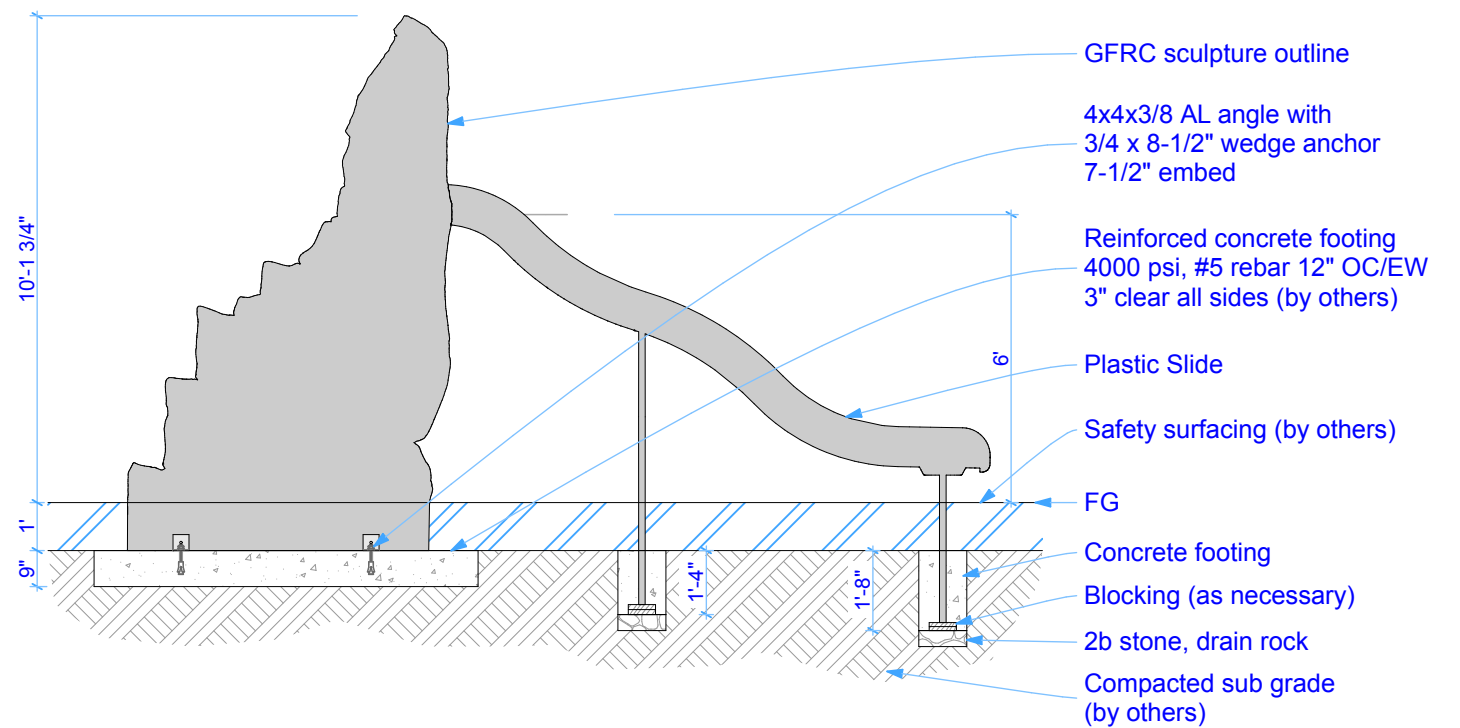


1

Plan  
SCALE: 1/4" = 1'-0"



2

Section  
SCALE: 1/4" = 1'-0"



3

Rock Slide



4

Rock Slide



591 South Boulevard  
Gunnison, CO 81230  
www.IDSculpture.com  
970.641.1747

**Rock Slide**  
**CB019**

*SCHEMATIC DESIGN*  
*NOT FOR CONSTRUCTION*

*All IDS projects are designed to meet or exceed ASTM 1487-11. Not all equipment may be appropriate for all children. Supervision is required. ASTM compliant safety surfacing is required under and around all play equipment. The Americans with Disabilities Act (ADA) may require your play area to be accessible, please consult with an ADA professional to ensure compliance.*

Date:  
**6/6/2017**

Drawing Title:  
**Plan Layout**

Sheet #:

**A.01.1**