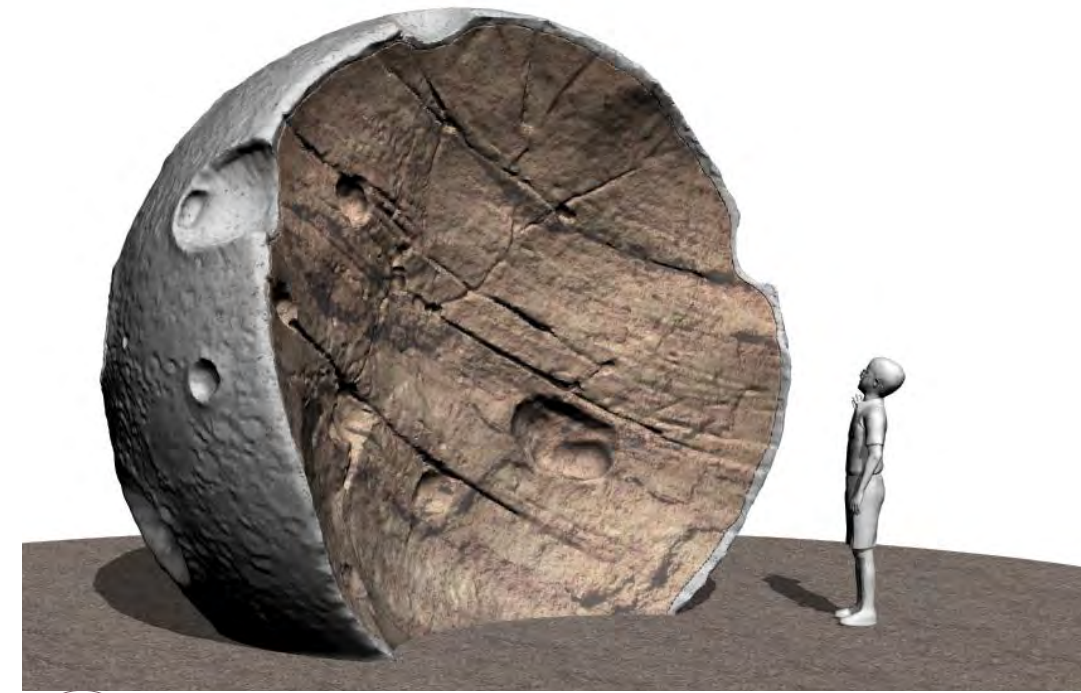
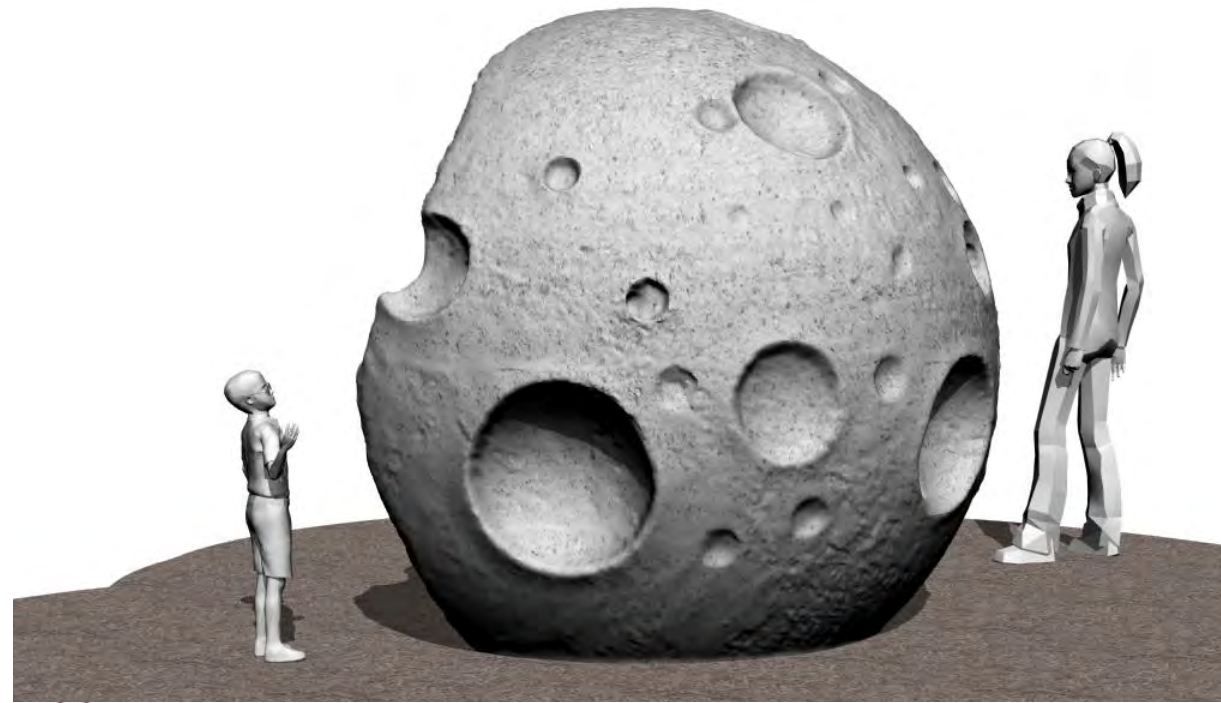


# Half Moon

SC001

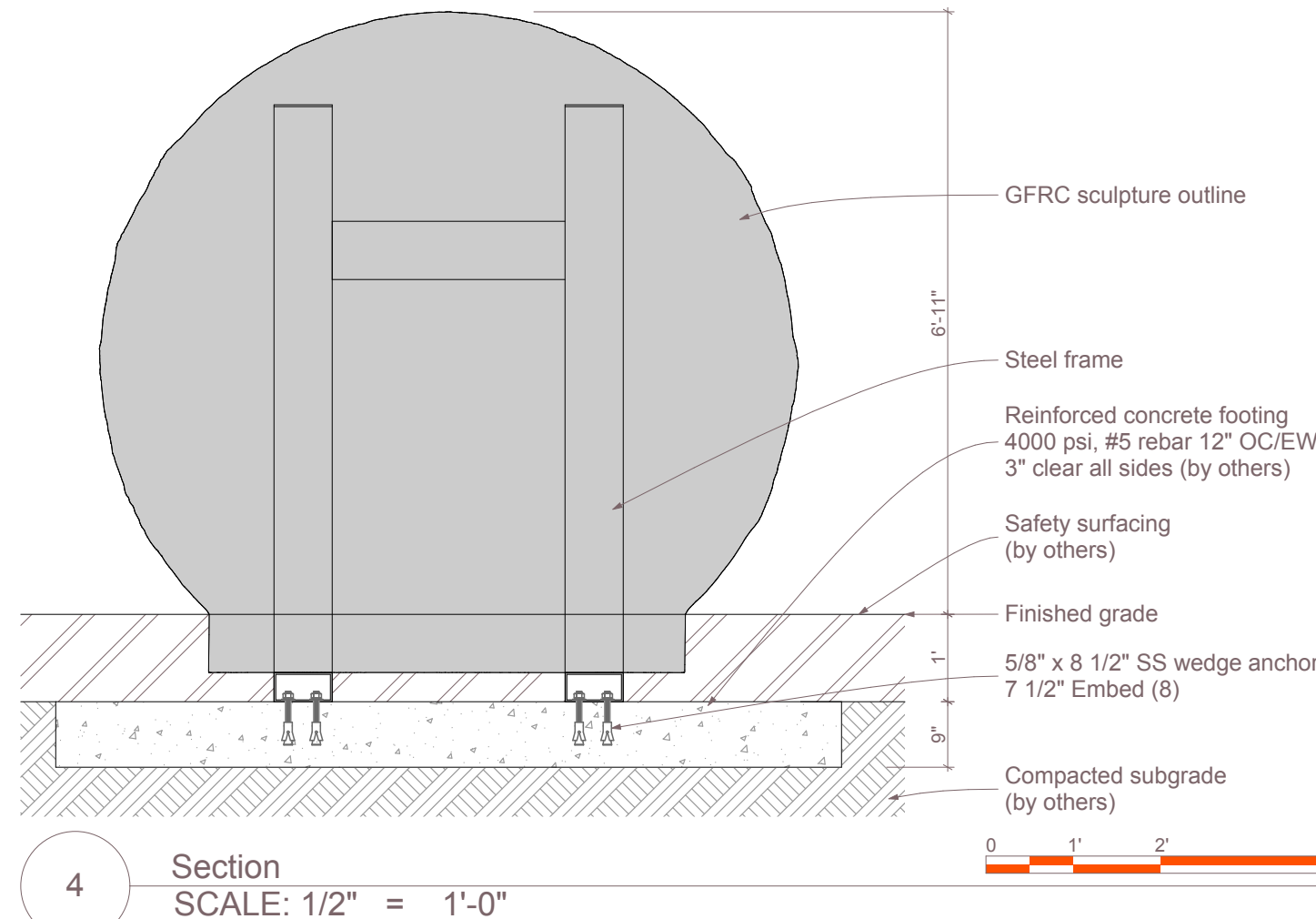
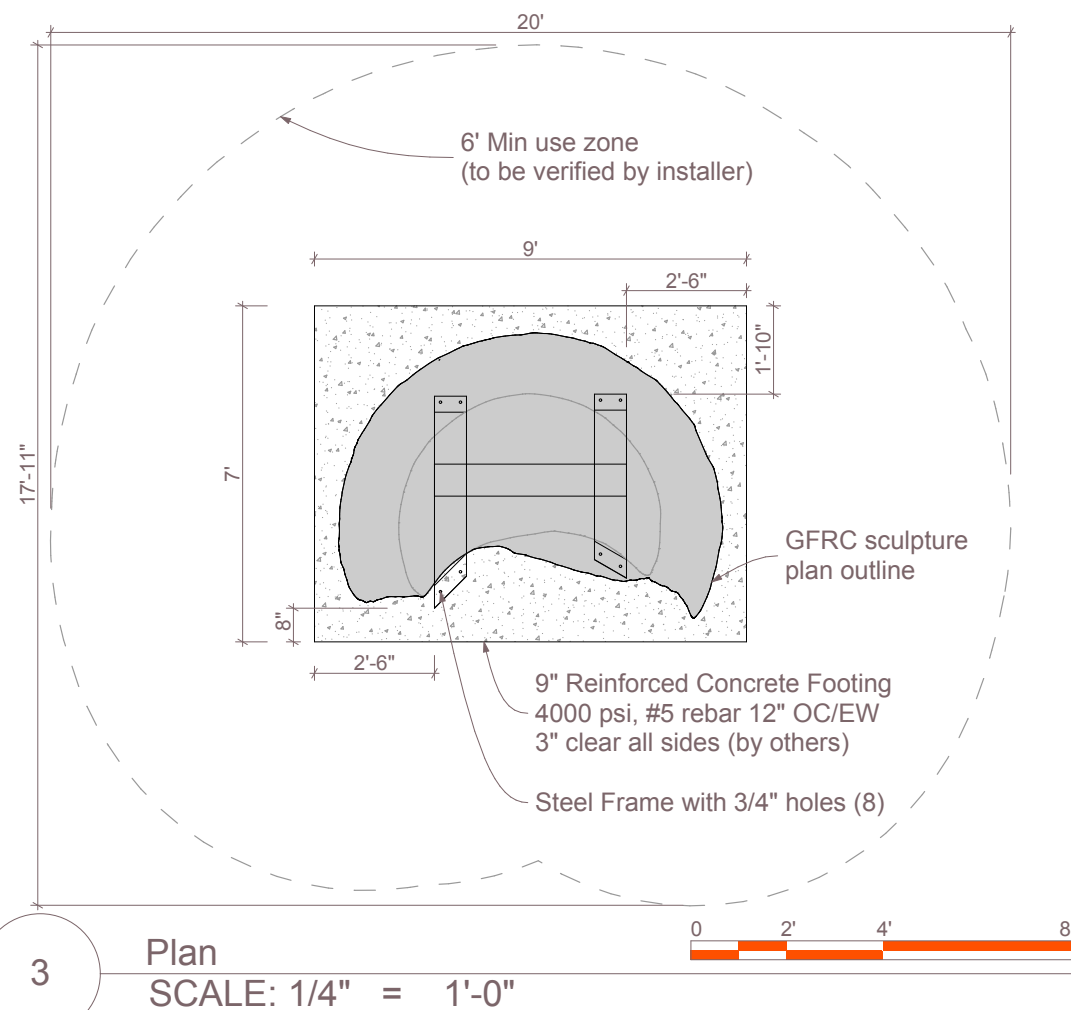
Age Group: 5-12

**SCHEMATIC DESIGN**  
**NOT FOR CONSTRUCTION**



1 Half Moon\_SC001

2 Half Moon\_SC001



All IDS projects are designed to meet or exceed ASTM 1487. Not all equipment may be appropriate for all children. Supervision is required. ASTM compliant safety surfacing is required under and around all play equipment. The Americans with Disabilities Act (ADA) may require your play area to be accessible, please consult with an ADA professional to ensure compliance.

Date  
9/11/2017

Drawing Title  
Layout

Sheet #  
A.01.1