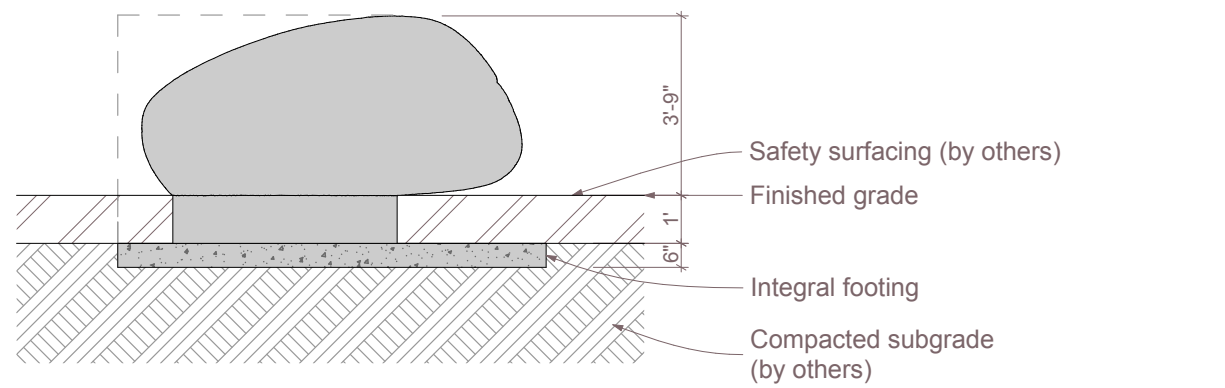


1 Plan
SCALE: 1/4" = 1'-0"



2 Section
SCALE: 1/4" = 1'-0"



3 Mini Mobius_SC005

Mini Mobius
SC005

Age Group: 2-5, 5-12

SCHEMATIC DESIGN
NOT FOR CONSTRUCTION

All IDS projects are designed to meet or exceed ASTM 1487. Not all equipment may be appropriate for all children. Supervision is required. ASTM compliant safety surfacing is required under and around all play equipment. The Americans with Disabilities Act (ADA) may require your play area to be accessible, please consult with an ADA professional to ensure compliance.

Date	8/4/2017
Drawing Title	Layout
Sheet #	A.01.1